

**RPM
Increaser/
Decreaser**

P.KRD.41

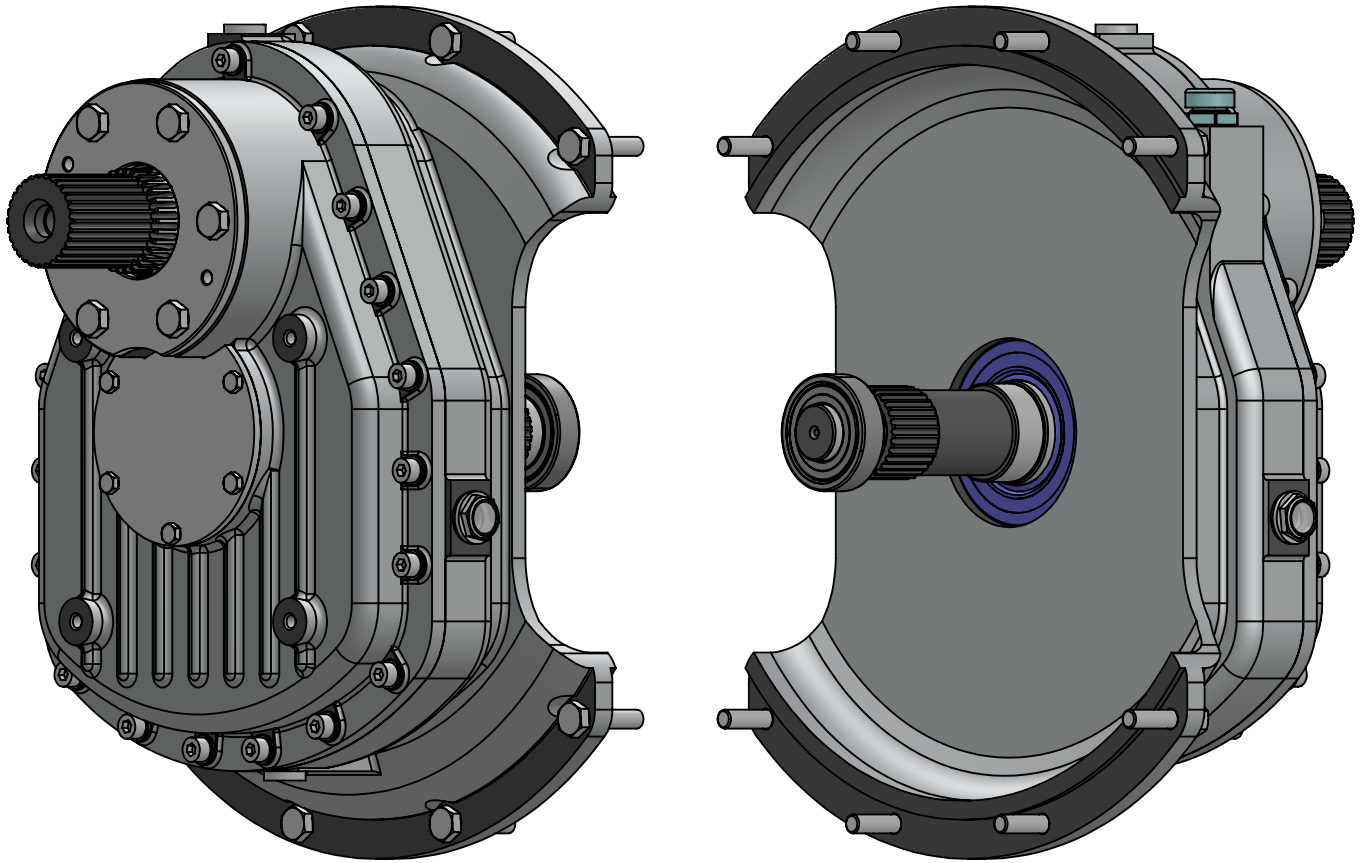
Product Code

01

24.01.2025

01

Rev. Date



VEHICLE TYPE

Sweeping Truck

TRANSMISSION CODE

All Motors with SAE3 Type Coupling

It is a 2-axis speed increaser / speed reducer gearbox used for vehicles with second engine with SAE- 3 Type coupling. It is mounted directly on the engine. Equipment rotation is opposite to the motor rotation. Output shaft is splined and compatible for sweeper truck vacuum fans. The gearbox is powered by the engine and delivers it to the equipment by increasing the speed.

RPM Incraser/ Decreaser

P.KRD.41

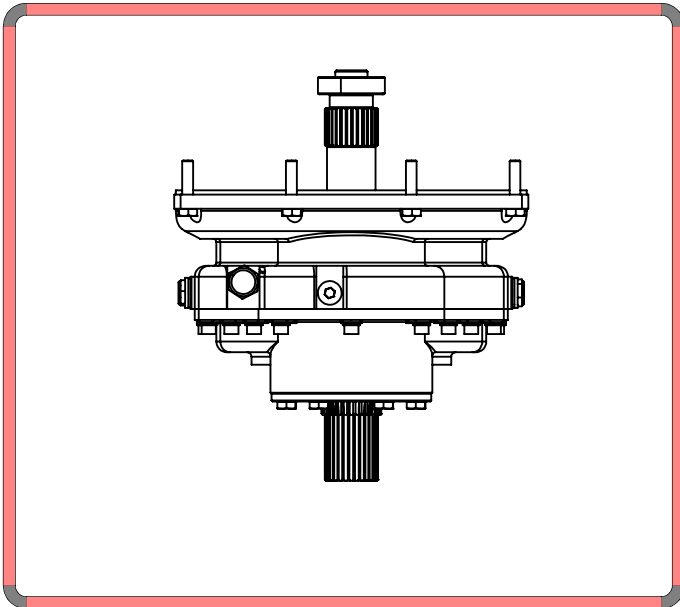
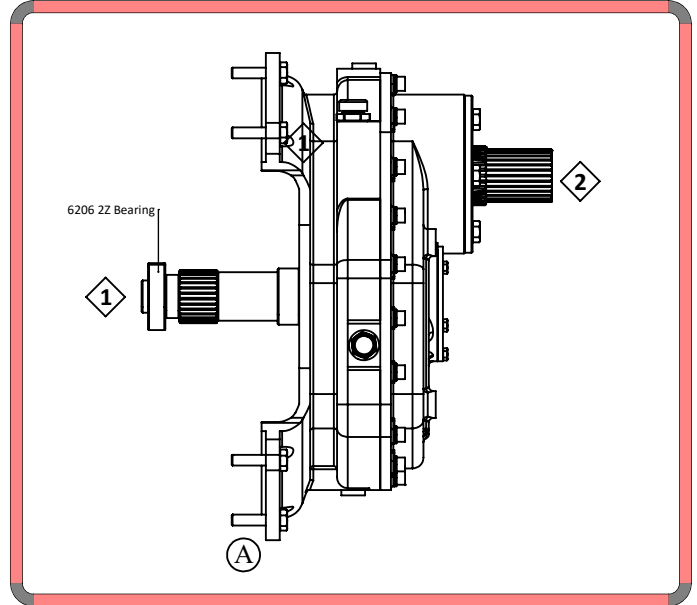
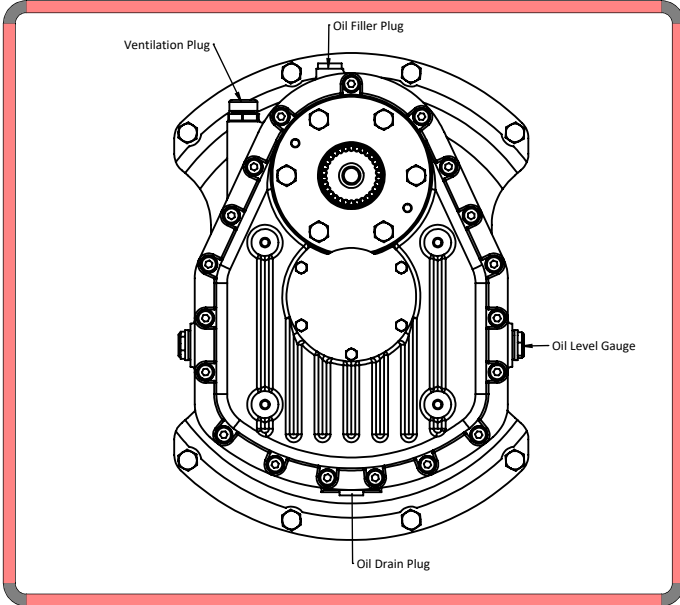
Product Code

01

24.01.2025

01

Rev. Date



1	Motor Connection Input
2	Equipment Connection Output
A	SAE-3 Type Casing

RPM Incraser/ Decreaser

P.KRD.41

Product Code

01

24.01.2025

01

Rev. Date

TECHNICAL VALUES

	INPUT VALUES	RATIO	WORKING RPM RANGE (MAX)
①	430 Nm/ 55 kW	1/1,80	2000 Rpm
	OUTPUT VALUES	RATIO	WORKING RPM RANGE (MAX)
②	145 Nm/ 55 kW	1/1,80	3600 Rpm

* Output Power ; The rpm and output power may vary. Contact Kozmaksan for exact working values.

Optimum Working Temperature	70°C	WEIGHT	≈32 Kg
Short-term Working Temperature	90°C	BODY MATERIAL	Etial-171
Risky Working Temperature	100°C	OIL TYPE & AMOUNT	80W-90

Output Options